

# IR CCD Camera 1042 Series

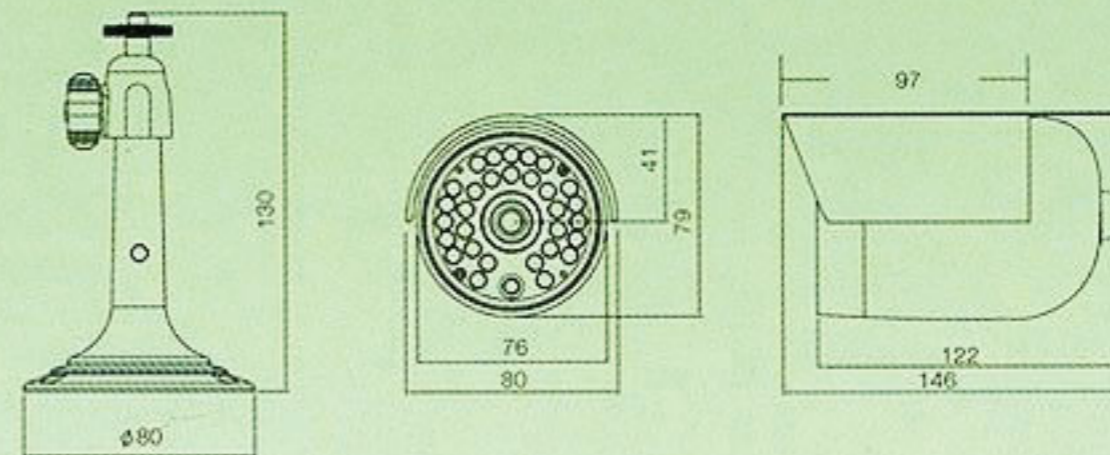
Features:

- Water Resistant: IP 68
- Patented heat-radiation
- High sensitivity, true color, high resolution



**SPECIFICATIONS**

Picture Elements HxV	NTSC/EIA:510*492; PAL/CCIR: 500*582 (medium)
Picture Elements HxV	NTSC/EIA:768*494; PAL/CCIR: 753*582 (High)
H. Sync Frequency	NTSC:15.734 KHz, PAL:15.625 KHz
V. Sync. Frequency	NTSC:59.94 Hz, PAL:50 Hz
Synchronization	Internal
White Balance	Auto white balance
Electronic Shutter	Auto , Rang:1/50(1/60) ~ 1/100,000 sec.
Gain Control	Auto
Gamma	0.45
S/N Ratio	More than 48 dB (AGC off)
Video Output	1 Vp-p, 75 Ohms
Dimension (diameter x L)	76 x 122 mm
Power Supply	DC 12V (+/- 10%)
Led	Ø5 x 42 pcs
Storage Temperature	-20°C ~ +70°C
Operating Temperature	-10°C ~ +55°C
Weight	480 g



Model	Chips	Lens (mm)	Night Vision	Min. Illumination	Resolution	Power Consumption
WIT-1042S	1/3" Sony	3.6/6/8/12	35 M	0.1 Lux (0 Lux led on)	480 (Tv line)	50 mA (Led Off) / 400 mA (Led On)
WIT-1042SH	1/3" Sony HQ1	3.6/6/8/12	30 M	0.3 Lux (0 Lux led on)	520 (Tv line)	130 mA (Led Off) / 480 mA (Led On)
WIT-1042P	1/4" Sony	4.3 / 6 / 8	30 M	0.3 Lux (0 Lux led on)	380 (Tv line)	50 mA (Led Off) / 400 mA (Led On)
WIT-1042G	1/4" Sharp	4.3 / 6 / 8	30 M	0.4 Lux (0 Lux led on)	380 (Tv line)	110 mA (Led Off) / 460 mA (Led On)
WIT-1042S2	1/3" Sony	4.3/6/8/12	35 M	0.1 Lux (0 Lux led on)	420 (Tv line)	110mA (Led Off) / 460 mA (Led On)

# IR CCD Camera 1056 Series

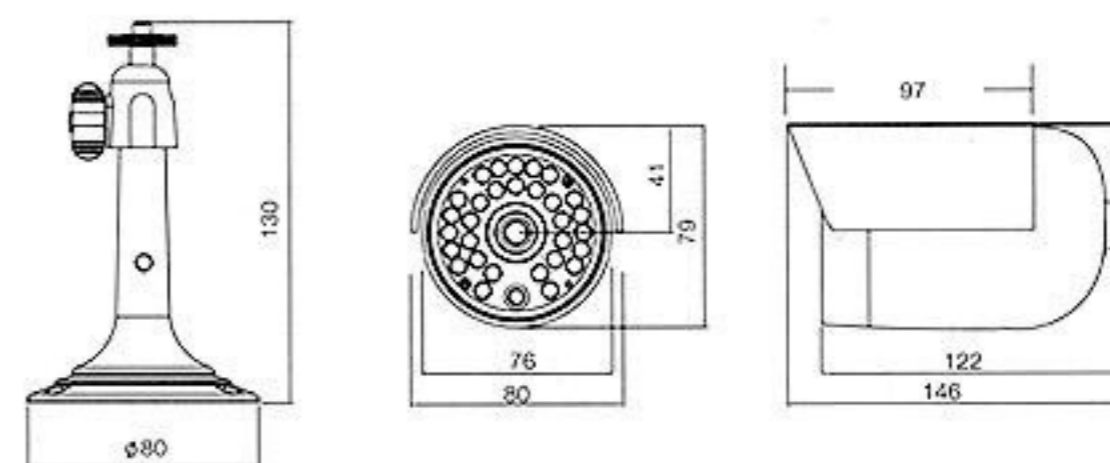
Features:

- Water Resistant: IP 68
- Patented heat-radiation
- High sensitivity, true color, high resolution



**SPECIFICATIONS**

Picture Elements HxV	NTSC/EIA:510*492; PAL/CCIR: 500*582 (medium)
Picture Elements HxV	NTSC/EIA:768*494; PAL/CCIR: 753*582 (High)
H. Sync Frequency	NTSC:15.734 KHz, PAL:15.625 KHz
V. Sync. Frequency	NTSC:59.94 Hz, PAL:50 Hz
Synchronization	Internal
White Balance	Auto white balance
Electronic Shutter	Auto , Rang:1/50(1/60) ~ 1/100,000 sec.
Gain Control	Auto
Gamma	0.45
S/N Ratio	More than 48 dB (AGC off)
Video Output	1 Vp-p, 75 Ohms
Dimension (diameter x L)	76 x 122 mm
Power Supply	DC 12V (+/- 10%)
Led	Ø5 x 56 pcs
Storage Temperature	-20°C ~ +70°C
Operating Temperature	-10°C ~ +55°C
Weight	500 g



Model	Chips	Lens (mm)	Night Vision	Min. Illumination	Resolution	Power Consumption
WIT-1056S	1/3" Sony	3.6/6/8/12	40 M	0.1 Lux (0 Lux led on)	480 (Tv line)	50 mA (Led Off) / 580 mA (Led On)
WIT-1056SH	1/3" Sony HQ1	3.6/6/8/12	35 M	0.3 Lux (0 Lux led on)	520 (Tv line)	130 mA (Led Off) / 660 mA (Led On)
WIT-1056P	1/4" Sony	4.3 / 6 / 8	35 M	0.3 Lux (0 Lux led on)	380 (Tv line)	50 mA (Led Off) / 580 mA (Led On)
WIT-1056G	1/4" Sharp	4.3 / 6 / 8	35 M	0.4 Lux (0 Lux led on)	380 (Tv line)	110 mA (Led Off) / 640 mA (Led On)
WIT-1056S2	1/3" Sony	4.3/6/8/12	40 M	0.1 Lux (0 Lux led on)	420 (Tv line)	110mA (Led Off) / 640 mA (Led On)