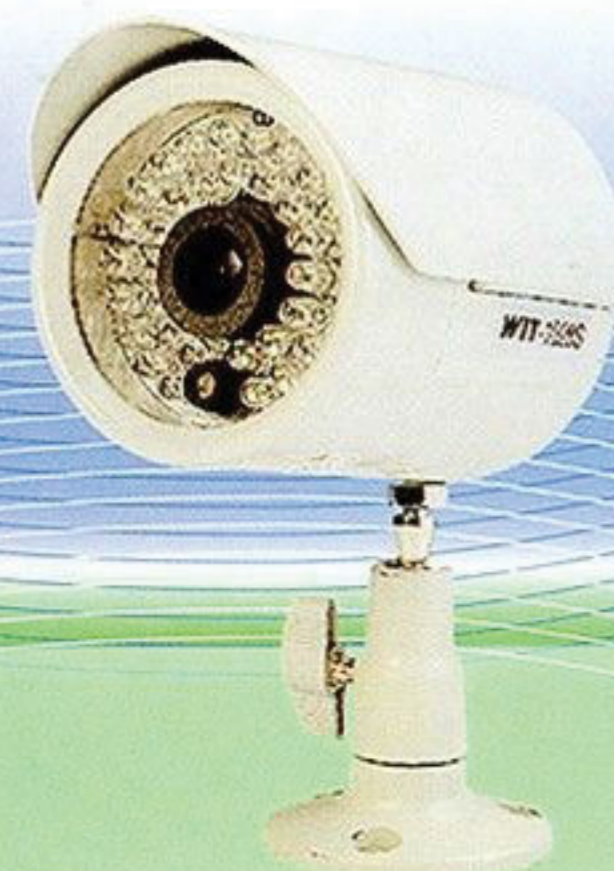


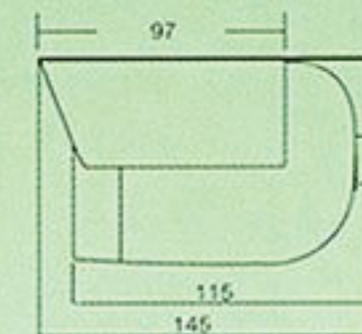
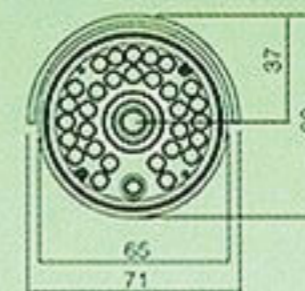
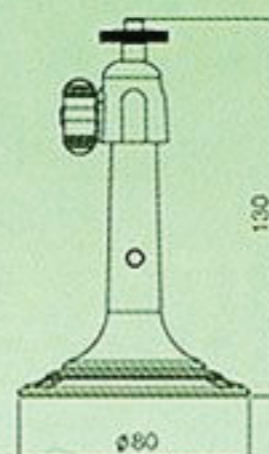
IR CCD Camera 1028 Series

Features:

- Water Resistant: IP 68
- Patented heat-radiation
- High sensitivity, true color, high resolution



SPECIFICATIONS	
Picture Elements HxV	NTSC/EIA:510*492; PAL/CCIR: 500*582 (medium)
Picture Elements HxV	NTSC/EIA:768*494; PAL/CCIR: 753*582 (High)
H. Sync Frequency	NTSC:15.734 KHz, PAL:15.625 KHz
V. Sync. Frequency	NTSC:59.94 Hz, PAL:50 Hz
Synchronization	Internal
White Balance	Auto white balance
Electronic Shutter	Auto, Rang:1/50(1/60) ~ 1/100,000 sec.
Gain Control	Auto
Gamma	0.45
S/N Ratio	More than 48 dB (AGC off)
Video Output	1 Vp-p, 75 Ohms
Dimension (diameter x L)	65 x 115 mm
Power Supply	DC 12V (+/- 10%)
Led	Ø5 x 28 pcs
Storage Temperature	-20°C ~ +70°C
Operating Temperature	-10°C ~ +55°C
Weight	400 g



Model	Chips	Lens (mm)	Night Vision	Min. Illumination	Resolution	Power Consumption
WIT-1028S	1/3" Sony	3.6/6/8/12	20 M	0.1 Lux (0 Lux led on)	480 (Tv line)	50 mA (Led Off) / 320 mA (Led On)
WIT-1028SH	1/3" Sony HQ1	3.6/6/8/12	17 M	0.3 Lux (0 Lux led on)	520 (Tv line)	130 mA (Led Off) / 400 mA (Led On)
WIT-1028P	1/4" Sony	4.3 / 6 / 8	17 M	0.3 Lux (0 Lux led on)	380 (Tv line)	50 mA (Led Off) / 320 mA (Led On)
WIT-1028G	1/4" Sharp	4.3 / 6 / 8	17 M	0.4 Lux (0 Lux led on)	380 (Tv line)	110 mA (Led Off) / 380 mA (Led On)
WIT-1028S2	1/3" Sony	4.3/6/8/12	20 M	0.1 Lux (0 Lux led on)	420 (Tv line)	110mA (Led Off) / 380 mA (Led On)

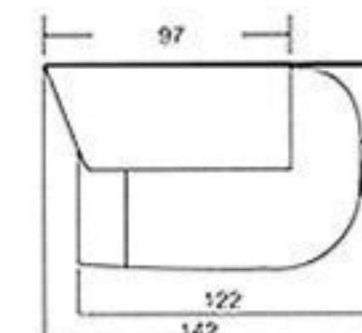
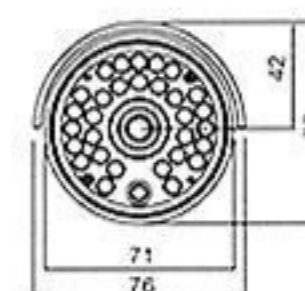
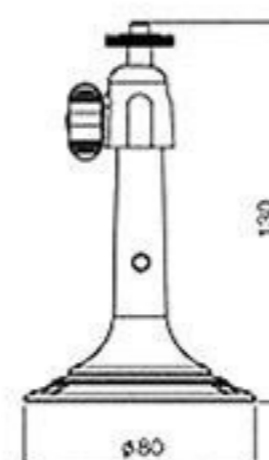
IR CCD Camera 1035 Series

Features:

- Water Resistant: IP 68
- Patented heat-radiation
- High sensitivity, true color, high resolution



SPECIFICATIONS	
Picture Elements HxV	NTSC/EIA:510*492; PAL/CCIR: 500*582 (medium)
Picture Elements HxV	NTSC/EIA:768*494; PAL/CCIR: 753*582 (High)
H. Sync Frequency	NTSC:15.734 KHz, PAL:15.625 KHz
V. Sync. Frequency	NTSC:59.94 Hz, PAL:50 Hz
Synchronization	Internal
White Balance	Auto white balance
Electronic Shutter	Auto, Rang:1/50(1/60) ~ 1/100,000 sec.
Gain Control	Auto
Gamma	0.45
S/N Ratio	More than 48 dB (AGC off)
Video Output	1 Vp-p, 75 Ohms
Dimension (diameter x L)	71 x 122 mm
Power Supply	DC 12V (+/- 10%)
Led	Ø5 x 35 pcs
Storage Temperature	-20°C ~ +70°C
Operating Temperature	-10°C ~ +55°C
Weight	450 g



Model	Chips	Lens (mm)	Night Vision	Min. Illumination	Resolution	Power Consumption
WIT-1035S	1/3" Sony	3.6/6/8/12	25 M	0.1 Lux (0 Lux led on)	480 (Tv line)	50 mA (Led Off) / 390 mA (Led On)
WIT-1035SH	1/3" Sony HQ1	3.6/6/8/12	20 M	0.3 Lux (0 Lux led on)	520 (Tv line)	130 mA (Led Off) / 470 mA (Led On)
WIT-1035P	1/4" Sony	4.3 / 6 / 8	20 M	0.3 Lux (0 Lux led on)	380 (Tv line)	50 mA (Led Off) / 390 mA (Led On)
WIT-1035G	1/4" Sharp	4.3 / 6 / 8	20 M	0.4 Lux (0 Lux led on)	380 (Tv line)	110 mA (Led Off) / 450 mA (Led On)
WIT-1035S2	1/3" Sony	4.3/6/8/12	25 M	0.1 Lux (0 Lux led on)	420 (Tv line)	110mA (Led Off) / 450 mA (Led On)